



SYDNEY & SYDNEY XL

Plug-in chiller and freezer.



**A NEW DIMENSION IN
VISUAL MERCHANDISING.**

SALES-PROMOTING AND ATTRACTIVE.

SYDNEY. The newest generation of chilling and freezing units with its unique sales-promoting design opens up entirely new possibilities in visual merchandising at the POS. The innovative and elegant glass side panels make for excellent product visibility and complement the brilliant LED interior lighting to create a perfect presentation of frozen foods. With its modern and sophisticated exterior design and smooth-running glass sliding lids, the SYDNEY series offers unmatched ease of use for your customers when selecting products.

Your advantages

- High energy savings compared to conventional integrated systems
- Maximum energy efficiency thanks to RPM-regulated compressor
- AHT e-conomize:**
Additional energy saving potential due to extensive optimization of technology and construction
- Plastic inner lining for optimal hygiene and easy cleaning
- Ecologically sound through use of the natural coolant propane
- Completely CFC- and PFC-free
- Ready to plug-in; no installation work required.
- Elegant glass side panels for perfect visibility
- Smooth-running glass sliding lids
- Low access height for easy loading and removal of products
- Low investment and operating costs
- Maintenance-free refrigeration unit
- Temperature display location: in central bar between front glass panes or in AHT standard position at bottom of front casing panel.



Temperature ranges

- Chilling +3 °C to +15 °C¹
- Freezing -18 °C to -23 °C
- Meat and minced meat refrigeration 0 °C to +2 °C²

¹ Preset is fixed at 4 °C – possibility to change to another temperature by a service technician.

² For product quality reasons, semiautomatic defrosting is not possible in »Meat/Ground meat« operating mode.

Highly flexible

- Can be used as a stand alone unit
- Can be used in a line up
- Can be used as an island
- Freezer island**
SYDNEY models in block placement can be combined with end units
- Expandable with standard shelf units



SYDNEY XL Sales Space

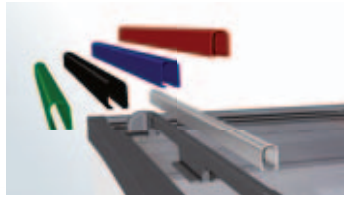
50 mm more depth



Optional:
Standard
temperature
display



Attractive and ergonomic handle strip – available in different colours



Easily visible temperature display on unit front

Accessories*

- ! Lattice dividers and height-adjustable storage grates for optimal merchandise presentation
- ! Product range and pricing labels
- ! Bumpers available in various colors
- ! Cover panels for block placement
- ! Water protection strips prevent water and dirt from getting under the units

*Please ask for our accessory folder.

Semi-automatic unit defrosting – a perfect system! (AD)



Periodic defrosting ...



... with no effect on merchandise temperature!

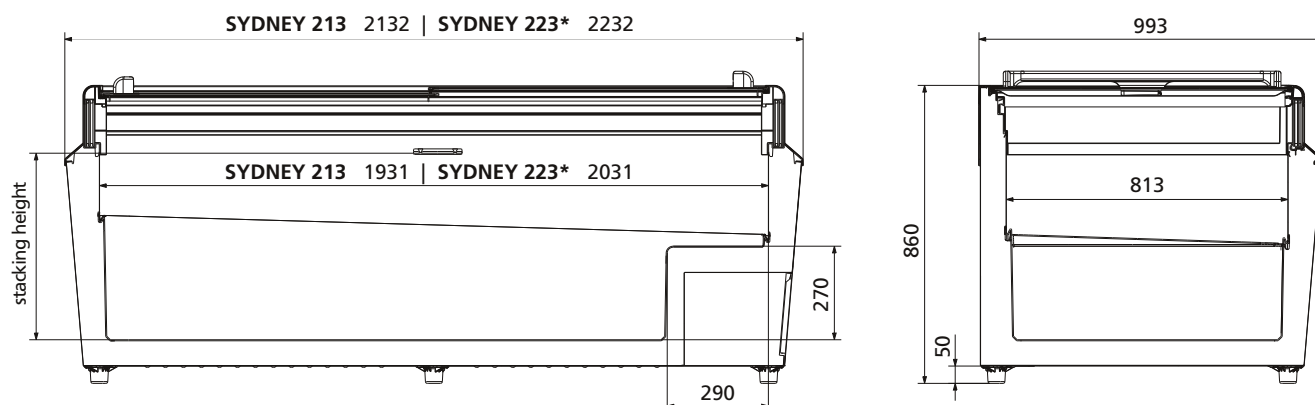
e-conomize ENERGY SAVER PLUS

SYDNEY		213		223*		230	
Technical data		(-) VS AD IQ LED	(U)** VS AD IQ LED	(-) VS AD IQ LED	(U)** VS AD IQ LED	(-) VS AD IQ LED	(U)** VS AD IQ LED
Gross volume	liter	1038	1038	1095	1095	1225	1225
Net volume acc. to EN 23953	liter	677	660/441/632	716	701/468/671	853	838/555/806
Total display area	m ²	1,36	1,36	1,44	1,44	1,53	1,53
Classification acc. to EN 23953		3L1	3S/3S/3L1	3L1	3S/3S/3L1	3L1	3S/3S/3L1
Ambient temperature range	°C	+16 to +25	+16 to +25	+16 to +25	+16 to +25	+16 to +25	+16 to +25
Adjustable interior temp.range	°C	-18 to -23	+3 to +15 / 0 to +2/-18 to -23	-18 to -23	+3 to +15 / 0 to +2/-18 to -23	-18 to -23	+3 to +15 / 0 to +2/-18 to -23
Sound pressure at 1 m distance	dB(A)	43,6	43,6	43,6	43,6	43,6	43,6
Electrical data							
Nominal voltage/frequency	V/Hz	220-240/50	220-240/50	220-240/50	220-240/50	220-240/50	220-240/50
Nominal power consumption cabinet	W	400	400	400	400	430	430
Nominal power consumption LED lighting	W	37	37	39	39	43	43
Nominal current	A	2,6	2,6	2,6	2,6	2,7	2,7
Fuse protection	A	16	16	16	16	16	16
Energy consumption (at 25 °C)	kWh/24h	5,3	1,4/2,8/5,3	5,9	1,6/3,3/5,9	5,4	1,5/2,9/5,4
Length of power cord	mm	1750	1750	1750	1750	1750	1750
Refrigeration data							
Refrigerant type		R290	R290	R290	R290	R290	R290
Refrigerant amount	g	100	100	100	100	120	120
Max. operating pressure	bar	30	30	30	30	30	30
Dimensions							
Length outside/inside	mm	2132/1931	2132/1931	2232/2031	2232/2031	2302/2173	2302/2173
Depth outside/inside	mm	993/813	993/813	993/813	993/813	993/813	993/813
Front acces height/height outside	mm	860/860	860/860	860/860	860/860	860/910	860/910
Stacking height	mm	510	530/360/510	510	530/360/510	560	580/390/560
Weight							
Net weight (excl. packaging, incl. process-related internal accessories)	kg	149	163	157	171	179	193
Gross weight (incl. packaging and process-related internal accessories)	kg	158	172	166	180	188	202

* Recommended for optimal block placement of the Sydney XL series.

** Universal unit: The temperature ranges chilling (+3 °C to +15 °C) / meat/ground meat (0 °C to +2 °C) / freezing (-18 °C to -23 °C) can be covered with this unit.

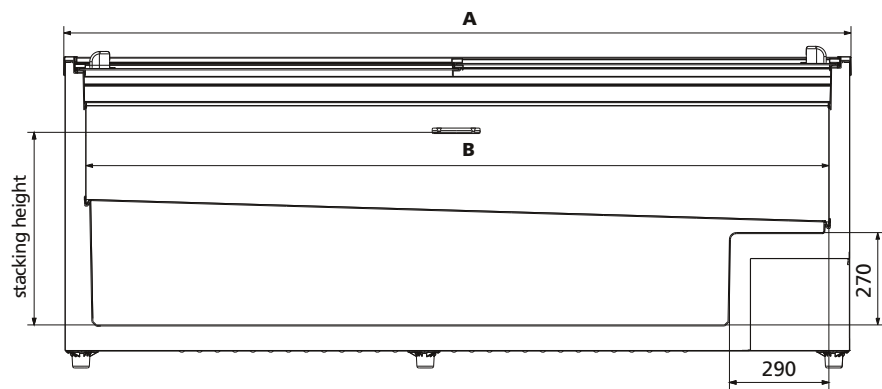
SYDNEY END CABINET



* Only used for block positioning of SYDNEY XL cabinets

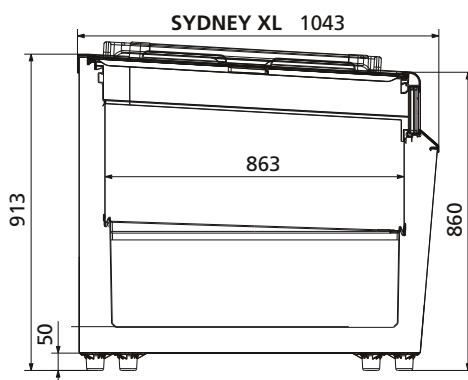
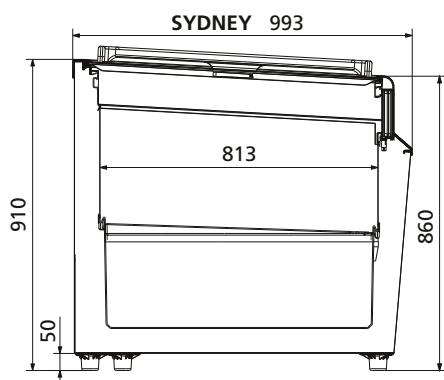
e-conomize ENERGY SAVER PLUS

250		XL 175		XL 210		XL 250	
(-) VS AD IQ LED	(U)** VS AD IQ LED	(-) VS AD IQ LED	(U)** VS AD IQ LED	(-) VS AD IQ LED	(U)** VS AD IQ LED	(-) VS AD IQ LED	(U)** VS AD IQ LED
1343	1343	957	957	1178	1178	1430	1430
938	927/615/891	658	634/417/608	817	799/528/768	999	887/655/950
1,69	1,69	1,21	1,21	1,49	1,49	1,8	1,8
3L1	3S/3S/3L1	3L1	3S/3S/3L1	3L1	3S/3S/3L1	3L1	3S/3S/3L1
+16 to +25	+16 to +25	+16 to +25	+16 to +25	+16 to +25	+16 to +25	+16 to +25	+16 to +25
-18 to -23	+3 to +15/ 0 to +2/-18 to 23	-18 to -23	+3 to +15/ 0 to +2/-18 to 23	-18 to -23	+3 to +15/ 0 to +2/-18 to 23	-18 to -23	+3 to +15/ 0 to +2/-18 to 23
43,6	43,6	43,6	43,6	43,6	43,6	43,6	43,6
220-240/50	220-240/50	220-240/50	220-240/50	220-240/50	220-240/50	220-240/50	220-240/50
450	450	430	380	430	430	450	450
46	46	34	34	39	39	46	46
2,9	2,9	2,7	2,3	2,7	2,7	2,9	2,9
16	16	16	16	16	16	16	16
5,9	1,7/3,2/5,9	5,3	1,5/3,0/5,3	5,8	1,6/3,2/5,8	6,4	1,8/3,5/6,4
1750	1750	1750	1750	1750	1750	1750	1750
R290	R290	R290	R290	R290	R290	R290	R290
130	130	100	100	110	110	140	140
30	30	30	30	30	30	30	30
2502/2373	2502/2373	1752/1623	1752/1623	2102/1973	2102/1973	2502/2373	2502/2373
993/813	993/813	1043/863	1043/863	1043/863	1043/863	1043/863	1043/863
860/910	860/910	860/910	860/910	860/910	860/913	860/913	860/913
560	580/390/560	560	580/390/560	560	580/390/560	560	580/390/560
188	202	138	147	181	192	202	216
197	211	147	156	190	201	211	225



A	SYDNEY 230	2302 mm
	250	2502 mm
	SYDNEY XL 175	1752 mm
B	210	2102 mm
	250	2502 mm
	SYDNEY 230	2173 mm
B	250	2373 mm
	SYDNEY XL 175	1623 mm
	210	1973 mm
B	250	2373 mm

The interior dimensions are reduced in AD/U due to required interior lattice.



AHT
green.freshness.worldwide

AHT Cooling Systems GmbH
8786 Rottenmann · Austria
phone +43/(0)3614/2451-0
Fax +43/(0)3614/2451-8
Email office@aht.at

OHSAS 18001
SA 8000

ISO 9001
ISO 14001